



# TWD

## 130MM CIRCULAR BUCKET TRAP

### TWD130RNDBT

Push-in circular bucket trap for indoor and outdoor applications.

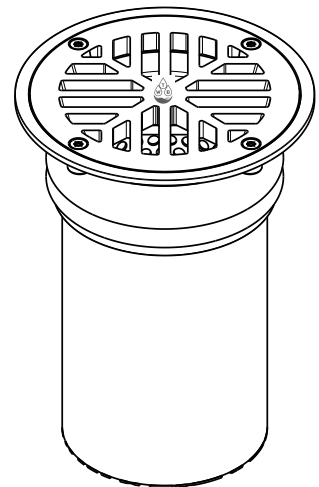
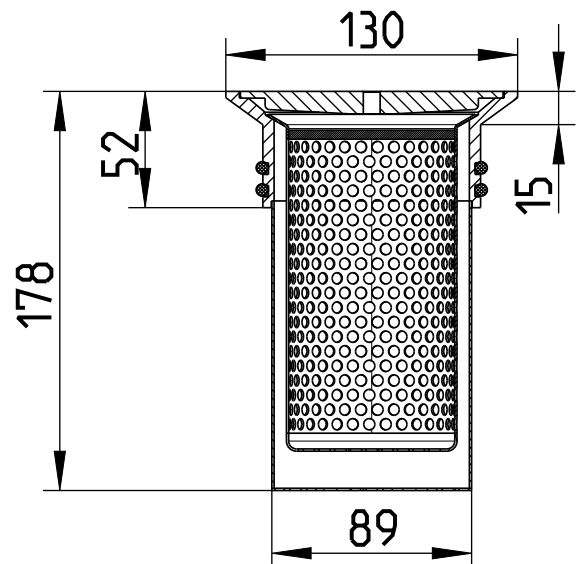
Suitable for all floor finishes - concrete tiled and resin.

#### Product Code.

**TWD130RNDBT**

#### Specification:

Application:	Commercial Drainage
Floor:	Concrete / Tiled / Resin
Frame (mm):	130
Outlet Diameter (mm):	89
Material:	AISI 304
Load Class AS3996 (kg):	L15
Standards / Specification:	<ul style="list-style-type: none"><li>• WMTS-040</li><li>• AS3996</li><li>• AS4586</li></ul>
Secure Lock Grating:	Anti Vandal Screw
Outlet Direction:	Vertical
Shape:	Circular
Dimensions (mm):	See Drawing
Weight (kg):	1.60
Ring Seal:	EPDM



#### Features:

- Non-Slip.
- Fixed Secondary Strainer.
- Removable Filter Basket.
- Secure Lock Grating.
- Heel Safe Grating.
- Suitable for use with stainless steel, cast iron, copper, HDPE, PVC and PP pipe and fitting.