



TWD

130MM CIRCULAR FLOOR DRAIN

TWD130RNDFD

Push-in circular floor drain for indoor and outdoor applications.

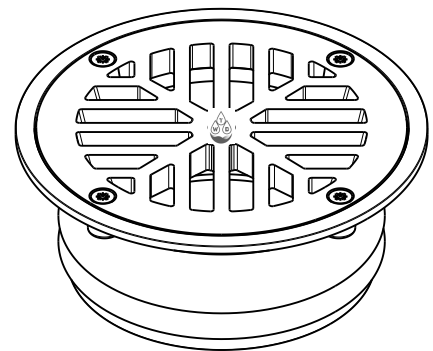
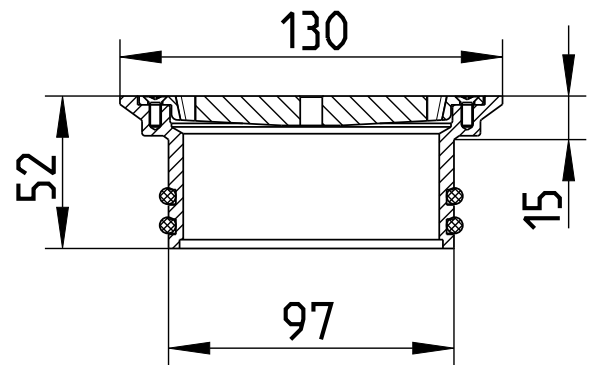
Suitable for all floor finishes - concrete tiled and resin.

Product Codes:

TWD130RNDFD

Specification:

Application:	Commercial Drainage
Floor:	Concrete / Tiled / Epoxy / Resin
Frame (mm):	130
Outlet Diameter (mm):	97
Material:	AISI 304
Load Class AS3996 (kg):	L15
Specification:	<ul style="list-style-type: none">• WMTS-040• AS3996• AS4586
Secure Lock Grating:	Anti Vandal Screw
Outlet Direction:	Vertical
Shape:	Circular
Dimensions (mm):	See Drawing
Weight (kg):	1.10
Ring Seal:	EPDM



Features:

- Non-Slip.
- Secure Lock Grating
- Heel Safe Grating.
- Suitable for use with stainless steel, cast iron, copper, HDPE, PVC and PP pipe and fittings.