



TWD

130MM CIRCULAR RODDING EYE

TWD130RNDCO

Push-in circular rodding eye for indoor and outdoor applications.

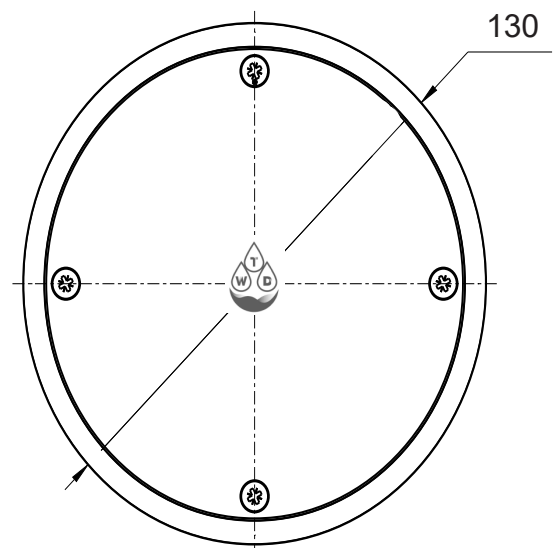
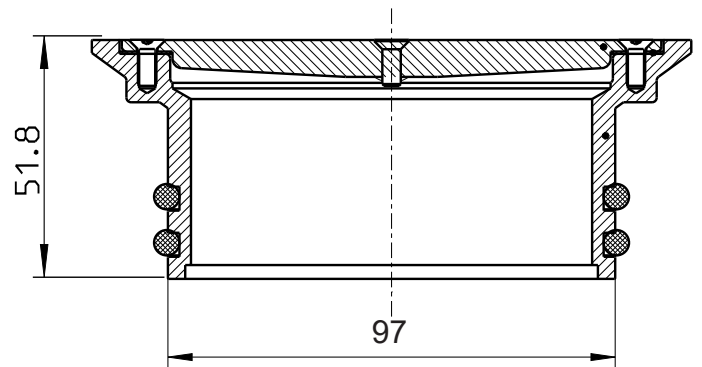
Suitable for all floor finishes - concrete tiled and resin.

Product Code:

TWD130RNDCO

Specification:

| | |
|----------------------------|--|
| Application: | Commercial Drainage |
| Floor: | Concrete / Tiled / Resin |
| Frame (mm): Outlet | 130 |
| Diameter (mm): | 97 |
| Material: | AISI 304 |
| Load Class: AS3996 (kg): | L15 |
| Standards / Specification: | <ul style="list-style-type: none">• WMTS-040• AS3996• AS4586 |
| Secure Lock Grating: | Anti Vandal Screw |
| Outlet Direction: | Vertical |
| Shape: | Circular |
| Dimensions (mm): | See Drawing |
| Weight (kg): | 1.25 |
| Ring Seal: | EPDM |



Features:

- Non-Slip.
- Secure Lock Grating
- Suitable for use with stainless steel, cast iron, copper, HDPE, PVC and PP pipe and fittings.

*Cover to be removed using Vacuum Handle