



TWD

130mm SQUARE TOP FLOOR DRAIN

TWD130SQFD

Push-in series commercial floor drain for indoor and outdoor applications

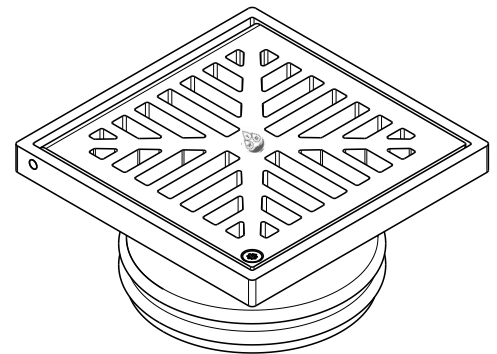
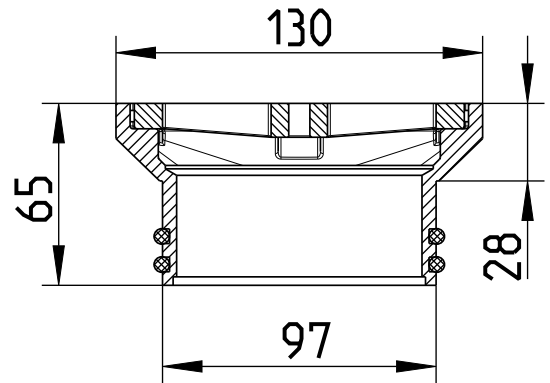
Suitable for floor finishes - concrete tiled and resin.

Product Code:

TWD130SQFD

Specification:

Application:	Commercial Drainage
Floor:	Concrete / Tiled / Resin
Frame (mm):	130x130
Outlet Diameter (mm):	97
Material:	AISI 304
Load Class AS3996 (kg):	L15
Standards / Specification:	<ul style="list-style-type: none">• WMTS-040• AS3996• AS4586
Secure Lock Grating:	Anti-Vandal Head
Outlet Direction:	Vertical
Shape:	Square
Dimensions (mm):	See Drawing
Weight (kg)	1.85
Ring Seal:	EPDM



Features:

- Non-Slip.
- Secure Lock Grating
- 110° Hinged Grating
- Heel Safe Grating.
- Suitable for use with stainless steel, cast iron, copper, HDPE, PVC and PP pipe and fittings.