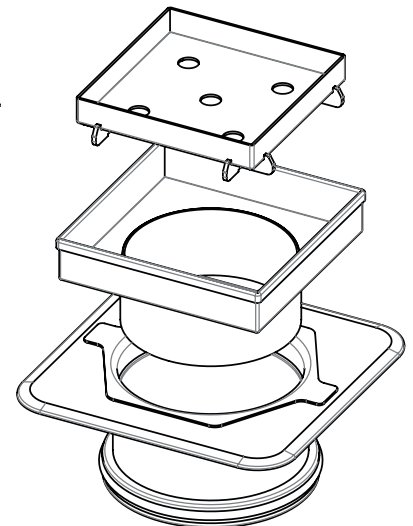
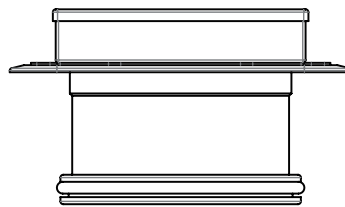
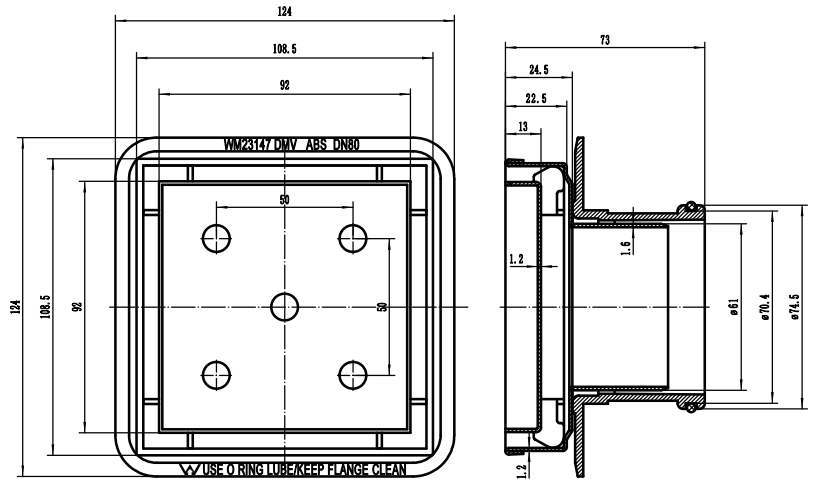


# D136-80 316 Stainless Steel Square Tile Insert With Puddle Flange



## Application

Maximum Live Loading 1kN  
Drainage Use Only

## Material Chart

Description	Material
Tile Insert	316 Marine Grade Stainless Steel
Puddle Flange	A.B.S

## Features

Watermark Approved – WM 23147  
Tested and Certified to WMTS 040



Aupurit Pty Ltd

info@aupurit.com.au  
All Rights Reserved 2023

