

MICRON MB1

INLINE QUICK-CHANGE FILTRATION SYSTEM

General Information

Elevate your kitchen experience with the MB1 Quick-Change Filter, transforming your standard faucet into a source of refreshing, filtered water. Meticulously designed for optimal efficiency, the MB1 integrates two powerful filtration stages (5 micron Sediment and CTO Carbon Block) into a single, compact unit that fits seamlessly beneath your sink.

This versatile 2-in-1 filter is perfect for both residential and commercial use, offering a high flow rate to accommodate various applications. Its aesthetically pleasing design requires no separate tap, maintaining the clean, modern look of your kitchen while ensuring effortless installation. Maintenance is simple with quick cartridge replacements, providing continuous access to clean, great-tasting water.

The MB1 effectively removes fine sediment, chlorine and its byproducts, volatile organic compounds (VOCs), and other harmful chemicals—giving you the purity, convenience, and style you deserve.

Designed for mains water.



Features and Benefits

- Point of use Inline Water Filtration System
- Features dual filtration with a 5 micron PP sediment filter and a CTO carbon block
- Removes sediment, chlorine, volatile organic compounds (VOCs), trihalomethane (THMs), unpleasant tastes and odours
- Quick-change filter replacement
- Slimline design and high flow rate capacity of 2-12L allows for versatility for both residential and commercial uses

Cartridge Replacement and Timeframe Suggestions

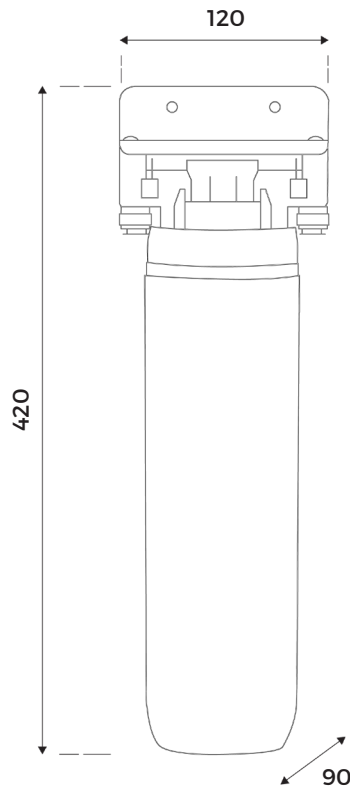
MB-PC 5 micron PP Sediment & CTO Carbon Block Filter cartridge to be replaced every 3 - 6 months



Version 1_Apr 2025

MICRON MB1

INLINE QUICK-CHANGE FILTRATION SYSTEM



Measurements in millimetres

MB1 Specifications

Model	MB1
Product Description	Inline Water Filter Two Stage in One Combined Stage: 5 micron PP Sediment & CTO Carbon Block Filter (Model: MB-PC)
Filtration Capacity	Removes dirt, sand, silt, rust and fine particles to nominal size. Reduces chlorine, VOCs, chemicals, odour and unpleasant taste.
Flow Rate	2 - 12L/min
Micron Rating	5 micron*
Min/Max Pressure	100 - 550 kPa
Min/Max Temperature	4 - 42°C (must not freeze / cold water only)
Connection	Standard size: 3/8" BSP (10mm)
Mounting Options	Vertical standard. Horizontal with Housing Mounting Bracket (90mm) AC-2-P1-BL
Cartridge Size	2.5" x 10" Quick-Change
Compatible Filter Cartridges	MB Quick-Change Filter Series
Dimensions	420 mm (H) x 120 mm (L) 90 mm (W)
Certification	WaterMark
Warranty	3 Years [^]

[^] 3 year warranty covering parts only, excluding cartridges. Use only genuine Micron Water Filters cartridges. Filter replacement timeframes are guidelines only and may vary with water quality and usage.

* Micron rating is nominal.