

# MICRON WH303A/X

## PLATINUM 300 SERIES - TRIPLE WHOLE HOUSE FILTRATION SYSTEM

### General Information

The WH303A/X Platinum 300 Series delivers advanced whole house filtration, purifying water down to 5 micron\*. Featuring premium coconut shell Granular Activated Carbon (GAC) combined with industry-leading KDF 55 media, it provides powerful reduction of sediment, chlorine, disinfection by-products (THMs), pesticides, herbicides, and a wide spectrum of heavy metals.

Engineered with a high-capacity ion exchange resin filter, the system not only enhances water clarity, taste, and odour, but also offers superior protection for appliances and tapware while minimising scale build-up on surfaces such as shower screens. Enclosed in a robust 316 stainless steel cover, it is purpose-built to withstand Australia's harsh outdoor conditions. The result is fresher, better-tasting water throughout your home, along with softer hair, smoother skin, and an overall improvement in wellbeing.

**Designed for mains water supply.**



### Features and Benefits

- Connection design ensures 100% of water flows through the filter media, allowing for maximum contact time and more effective contaminant reduction
- Standard 4.5" x 20" housings provide double the capacity of 4.5" x 10" housings
- Greater contact time, flow rates, longevity, and chemical removal
- Suitable for small to large homes with 2 or more bathrooms
- 5 micron PP Sediment Pre-Filter for removal of fine particles, sand, and rust
- High Capacity Water Softening Resin Filter for reducing water hardness
- Granular Activated Carbon (GAC) & KDF 55 Heavy Metal Reduction Filter for removal of chlorine, THMs, water-soluble heavy metals, VOCs, pesticides, and herbicides, improving taste and odour
- Bacteriostatic, high-capacity control of scale, bacteria, and algae within filter
- UV resistant marine grade 316 stainless steel brackets and external cover
- 1/4" top mount pressure gauge ports and bleed valve

#### Cartridge Replacement and Timeframe Suggestions

WH20-5SED 5 micron PP Sediment Filter cartridge to be replaced every 3 - 6 months.

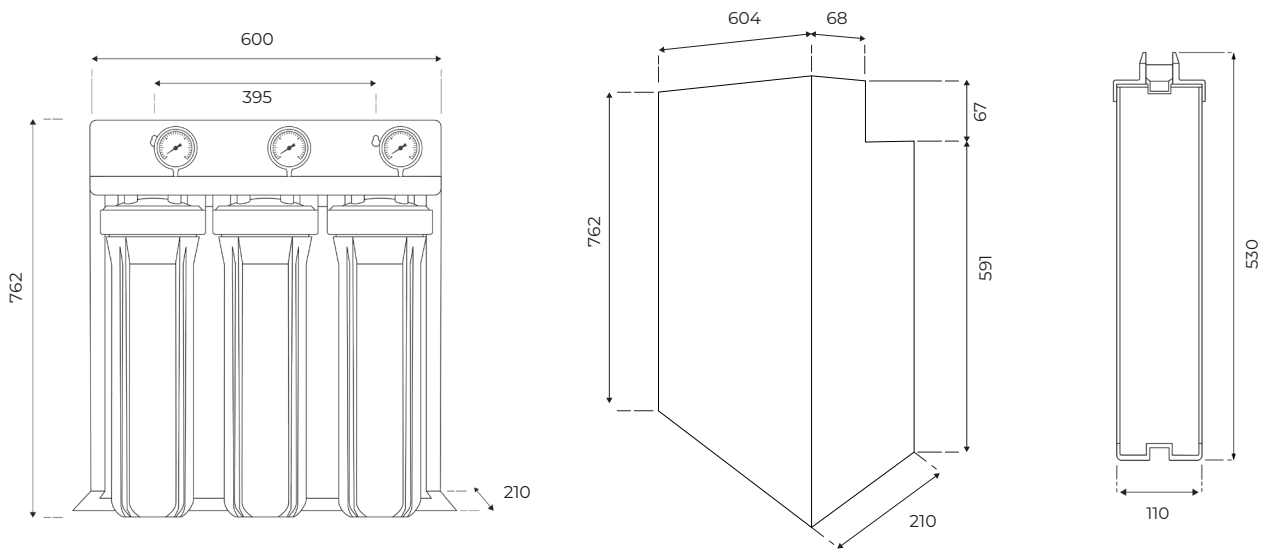
WH20-RES+ High Capacity Water Softening Resin Filter cartridge to be replaced every 3 - 6 months.

WH20-GAC KDF 55 Granular Activated Carbon & KDF 55 Heavy Metal Reduction Filter cartridge to be replaced every 6 - 12 months.

Version 1\_Apr 2025

# MICRON WH303A/X

## PLATINUM 300 SERIES - TRIPLE WHOLE HOUSE FILTRATION SYSTEM



Measurements in millimetres

### Platinum 300 Series Specifications

<b>Model</b>	Platinum 300 Series - Triple Whole House Filtration System
<b>Product Description</b>	Platinum 300 Series - Triple Whole House Filtration System 1st stage: 5 micron PP Sediment Pre-Filter (Model: WH20-5SED) 2nd stage: High Capacity Water Softening Resin Filter (Model: WH20-RES+) 3rd stage: GAC+ KDF 55 Heavy Metal Reduction Filter (Model: WH20-GAC KDF 55)
<b>Filtration Capacity</b>	Removes dirt, sand, silt, rust and fine particles to nominal size. Reduces chlorine, VOCs, chemicals, heavy metals, and scale, to soften water and improve odour and taste. Bacteriostatic properties prevent the growth of bacteria and algae within KDF 55 cartridge
<b>Flow Rate</b>	35L/min
<b>Micron Rating</b>	5 micron*
<b>Min/Max Pressure</b>	200-1600 kPa (with PLV)
<b>Min/Max Temperature</b>	4 - 42°C (must not freeze / cold water only)
<b>Connection</b>	Standard Port Size 1" - Brass Thread
<b>External Cover</b>	316 Marine Grade Stainless Steel Mounting Frame and Cover
<b>Cartridge Size</b>	4.5" x 20"
<b>Compatible Filter Cartridges</b>	WH20 Filter Series
<b>Dimensions</b>	With Cover: 762 mm (H) x 604 mm (L) x 210 mm (W)
<b>Certification</b>	WaterMark
<b>Warranty</b>	3 Years <sup>^</sup>

<sup>^</sup> 3 year warranty covering parts only, excluding cartridges. Use only genuine Micron Water Filters cartridges. Filter replacement timeframes are guidelines only and may vary with water quality and usage.

\* Micron rating is nominal.